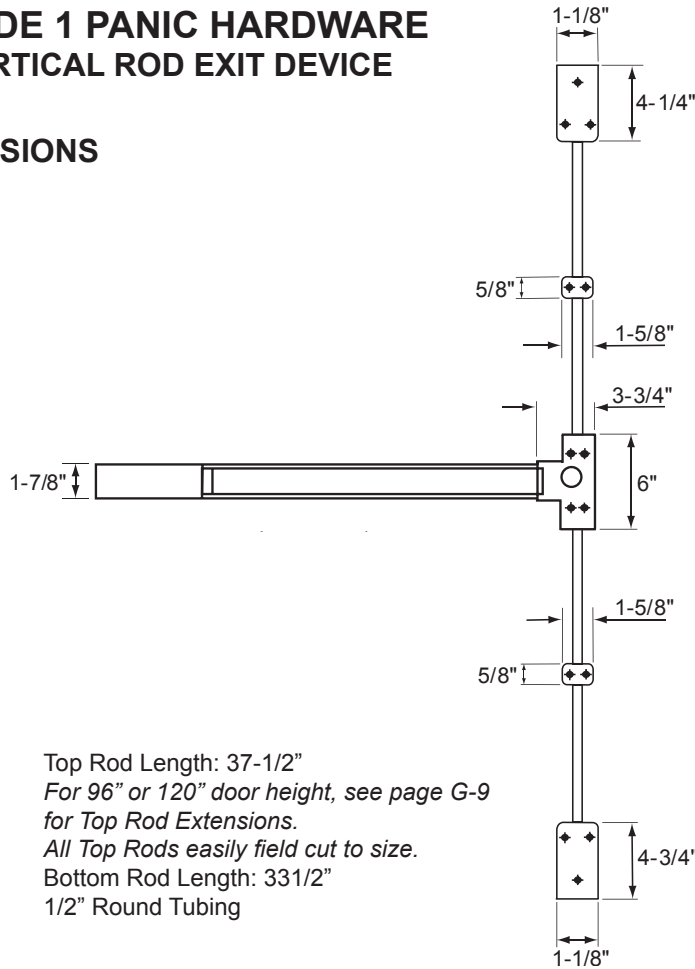


8100 SERIES GRADE 1 PANIC HARDWARE VERTICAL ROD EXIT DEVICE



DIMENSIONS



Top Rod Length: 37-1/2"
For 96" or 120" door height, see page G-9
for Top Rod Extensions.
All Top Rods easily field cut to size.
Bottom Rod Length: 33 1/2"
1/2" Round Tubing



**10 YEAR
WARRANTY**

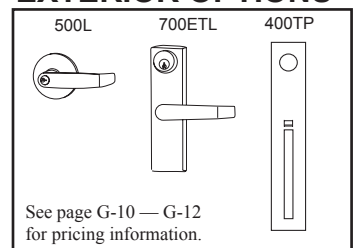
STANDARD SPECIFICATIONS

Applications	Offices, Schools, Hospitals, Apartments, Hotel/Motels & other Public Buildings	Mounting	Furnished standard with wood & machine screws. Sex nuts and bolts (1346) optional.
Door Size	33" to 36" x 84". Top Rod Extension Available (up to 10'). Bar easily field cut to size.	Latchbolt	Zinc
Stile Width	3-1/2" minimum stile width required.	Latchbolt Spring	Stainless Steel throughout.
Chasis, End Cap & Rail Assembly	Painted Steel (Alum & Duro) or Stainless Steel (US32D)	Strike	#8171 Steel Strike for Top Case. #8172 Zinc Strike for Bottom Case. #8285 Overlapping Strike.
UL Listed	Complies with UL 305 standards. Listed for safety as Panic Hardware.	Cover	Zinc Alloy
Door Prep	Will cover stock hollow metal doors with 161 cutout	Handing	Reversible
		Dogging	Hex Key Dogging feature standard
		Door Thickness	1-3/4" ~ 2" standard, 2-1/4" optional

ITEM DETAILS

Model	Description	WT/ CTN	QTY/ CTN	ALUMINUM	DURO	US32D Stainless Steel	
8100-3684	Vertical Rod Type Device for 36" X 84" Door	65 Lbs	6	Item No.	682300	682302	682301

EXTERIOR OPTIONS



DELANEY

Copyright © DELANEY HARDWARE. All rights reserved.