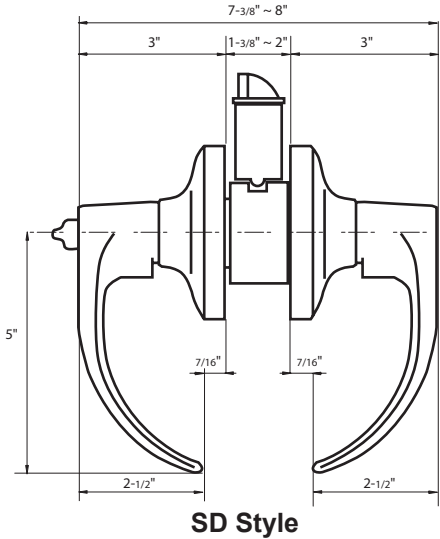


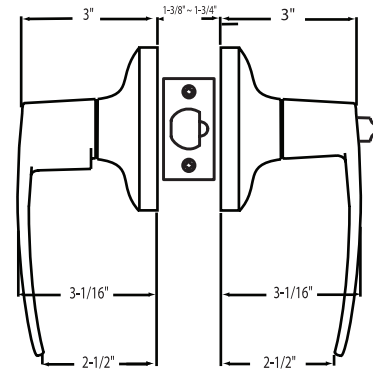
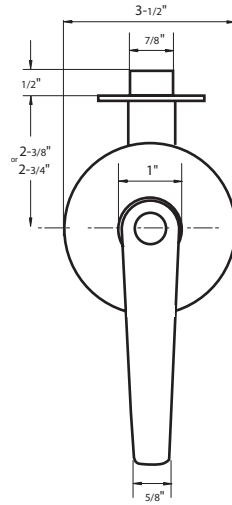
F SERIES - SD & MD STYLES GRADE 1 CYLINDRICAL LEVERS



DIMENSIONS



SD Style



MD Style



STANDARD SPECIFICATIONS



Door Prep	Cross bore: 2-1/8" Edge bore: 1" Latch face: 1-1/8" x 2-1/4"	Latches	Entrance: 2-3/4" (F9070T) standard. 2-3/8" (F9060T) optional Pass/Priv: 2-3/4" (F9073T) standard 2-3/8" (F9063T) optional Faceplate: 1-1/8" x 2-1/4" square corner Bolt: 1/2" Stainless Steel throw. Meets 3-Hr. Fire Rating
Backset	2-3/4" UL Latch standard, 2-3/8" optional	Strikes	4-7/8" ANSI Strike standard (9109)
Door Thickness	1-3/8" ~ 2". Adjustable mounting plate	Door Handing	Not Required
Cylinder	SC4 6-pin standard, KW1 5-pin optional Entries packed KA2	Interchangeable Core	CT style only
ANSI & Federal Standards	<ul style="list-style-type: none"> Meets & exceeds requirements of BHMA/ANSI A156.2 Series 4000, GR1, 800,000 Cycles. Meets FF-H-106C Federal Standard. 	Product Features	<ul style="list-style-type: none"> Independent Torsion Spring Removable Through Bolts Concealed Mounting Screws Anti-Friction Latch Retractor Clutch Function Panic Proof - Push/Turn

ITEM DETAILS

Model	Function	WT/LB	CTN QTY	SD Style		MD Style		
				US26D Dull Chrome	US10B Oil Rubbed Bronze	US26D Dull Chrome	US10B Oil Rubbed Bronze	
500-F	Entrance	32 Lbs	6 Pcs	Item No.	3C5002	3C5000	3N5002	3N5000
504-F	Storeroom	32 Lbs	6 Pcs	Item No.	3C5042	3C5040	3N5042	3N5040



DELANEY

Copyright © DELANEY HARDWARE. All rights reserved.