

WHI SKU:

7081

DIMENSIONS:

Fits 6010 Handrail

DESCRIPTION:

2 Riser With Cap 90° Left Hand



WHOLESALE HARDWOOD
INTERIORS

Wholesale Hardwood
Interiors, Inc.

1030 Campbellville Bypass
Campbellsville, KY 42718
Phone: 270-789-1323
Fax: 270-789-2321
www.wholesalehardwoodint.com

INTERNAL USE ONLY

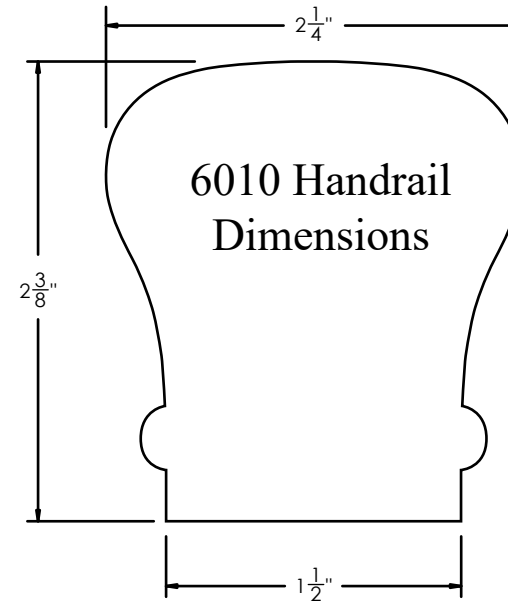
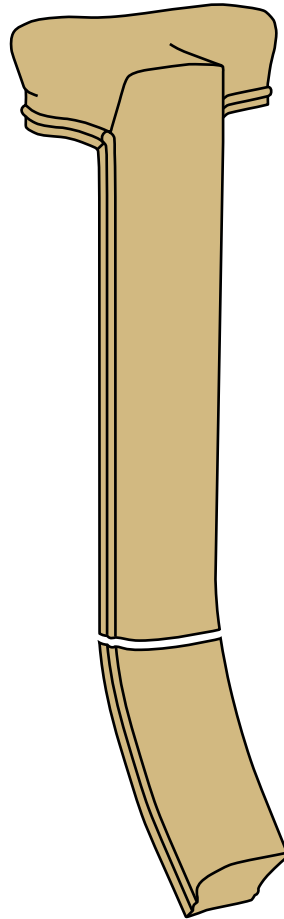
CAD Library

REVISION:

DATE:

PRODUCT SHOWN:

DO NOT SCALE
DRAWING



WHI SKU:

7086

DIMENSIONS:

Fits 6010 Handrail

DESCRIPTION:

2 Riser With Cap 90° Right Hand



WHOLESALE HARDWOOD
INTERIORS

Wholesale Hardwood
Interiors, Inc.

1030 Campbellville Bypass
Campbellsville, KY 42718
Phone: 270-789-1323
Fax: 270-789-2321
www.wholesalehardwoodint.com

INTERNAL USE ONLY

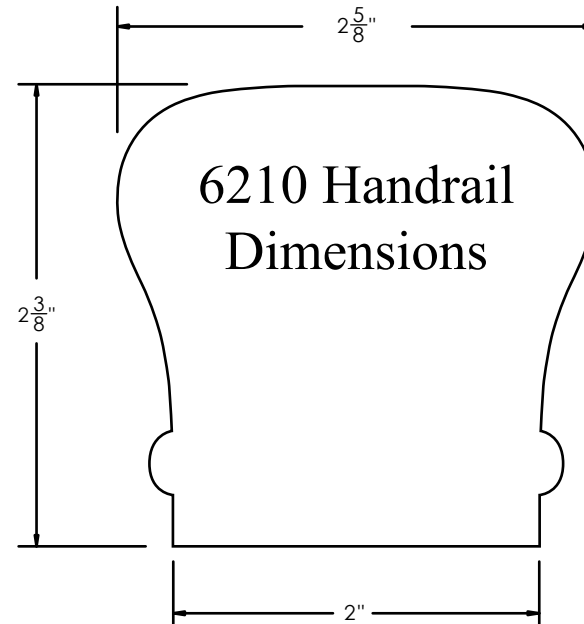
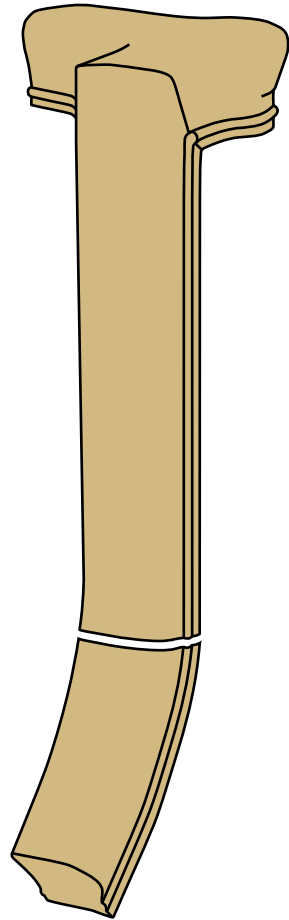
CAD Library

REVISION:

DATE:

PRODUCT SHOWN:

DO NOT SCALE
DRAWING



WHI SKU:

7281

DIMENSIONS:

Fits 6210 Handrail

DESCRIPTION:

2 Riser With Cap 90° Left Hand



WHOLESALE HARDWOOD
INTERIORS

Wholesale Hardwood
Interiors, Inc.

1030 Campbellville Bypass
Campbellville, KY 42718
Phone: 270-789-1323
Fax: 270-789-2321
www.wholesalehardwoodint.com

INTERNAL USE ONLY

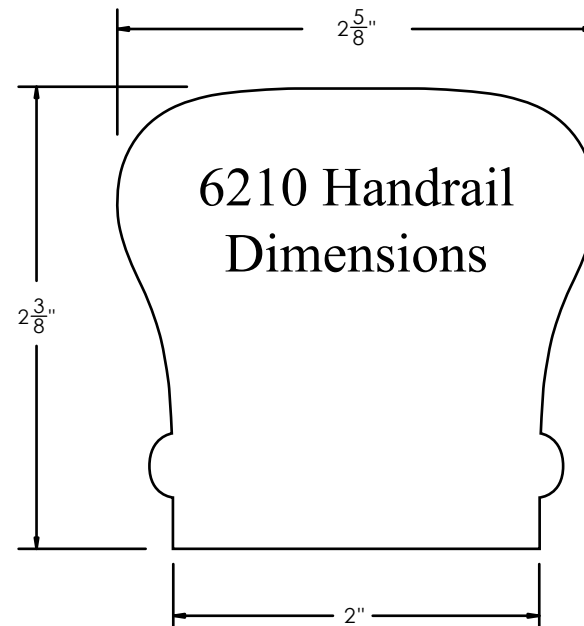
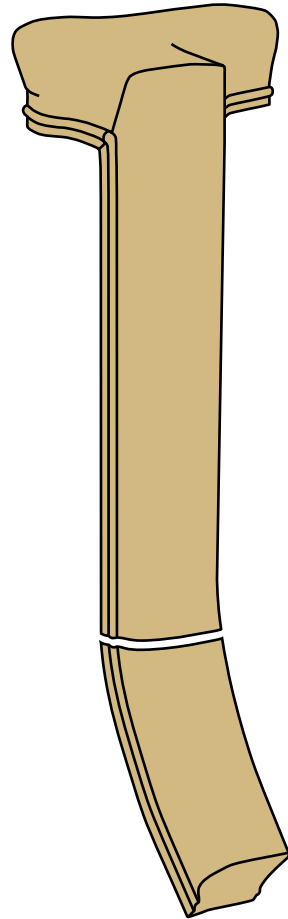
CAD Library

REVISION:

DATE:

PRODUCT SHOWN:

DO NOT SCALE
DRAWING



WHI SKU:

7286

DIMENSIONS:

Fits 6210 Handrail

DESCRIPTION:

2 Riser With Cap 90° Right Hand



WHOLESALE HARDWOOD
INTERIORS

Wholesale Hardwood
Interiors, Inc.

1030 Campbellville Bypass
Campbellsville, KY 42718
Phone: 270-789-1323
Fax: 270-789-2321
www.wholesalehardwoodint.com

INTERNAL USE ONLY

CAD Library

REVISION:

DATE:

PRODUCT SHOWN:

DO NOT SCALE
DRAWING