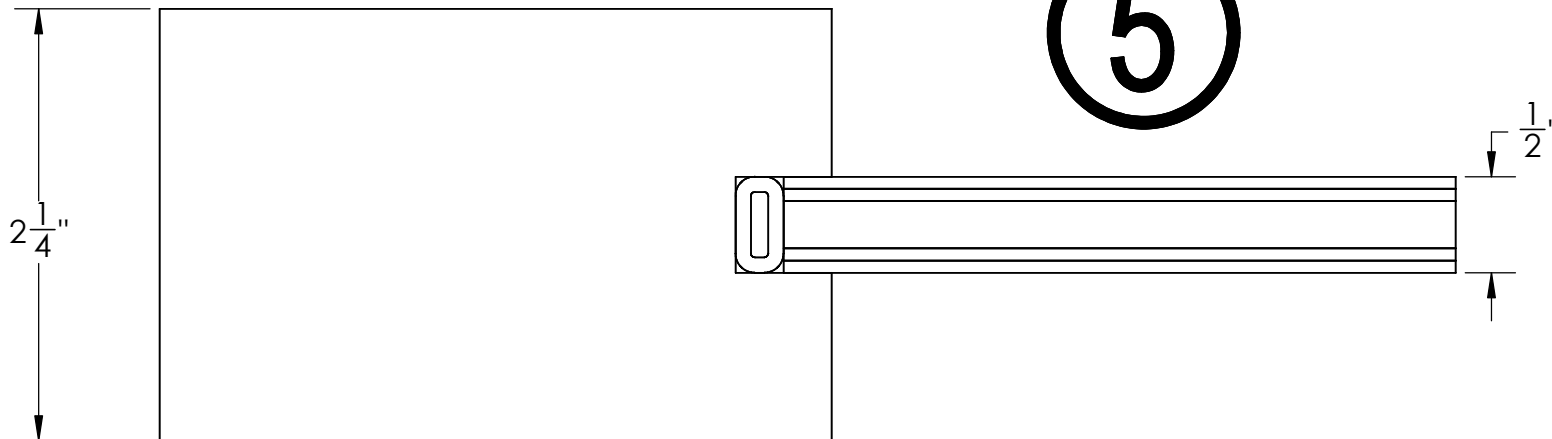


**H**

**5**



RAIL & PANEL OPTION:

**H5**

RAIL DESCRIPTION:

**SQUARE, 2-1/4", 1/2" SLOT**

PANEL DESCRIPTION:

**1/2" FLAT, PLYWOOD**



WHOLESALE HARDWOOD  
INTERIORS

**Wholesale Hardwood  
Interiors, Inc.**

1030 Campbellsville Bypass  
Campbellsville, KY 42718  
Phone: 270-789-1323  
Fax: 270-789-2321  
www.wholesalehardwoodint.com

INTERNAL USE ONLY

CAD Library

REVISION:	DATE:	SCALE:
<b>B</b>	<b>8/2022</b>	<b>1:1</b>

COMPONENT SERIES:  
**RAIL & PANEL**

DO NOT SCALE  
DRAWING